

Future of GD&T

 **inventas**

Jos van Grinsven

Training for Technicians

 **inventas**

Jos van Grinsven

value of GD&T and PMI

Function / €

Accepted / rejected

Communication

PMI in 3D model

CAD

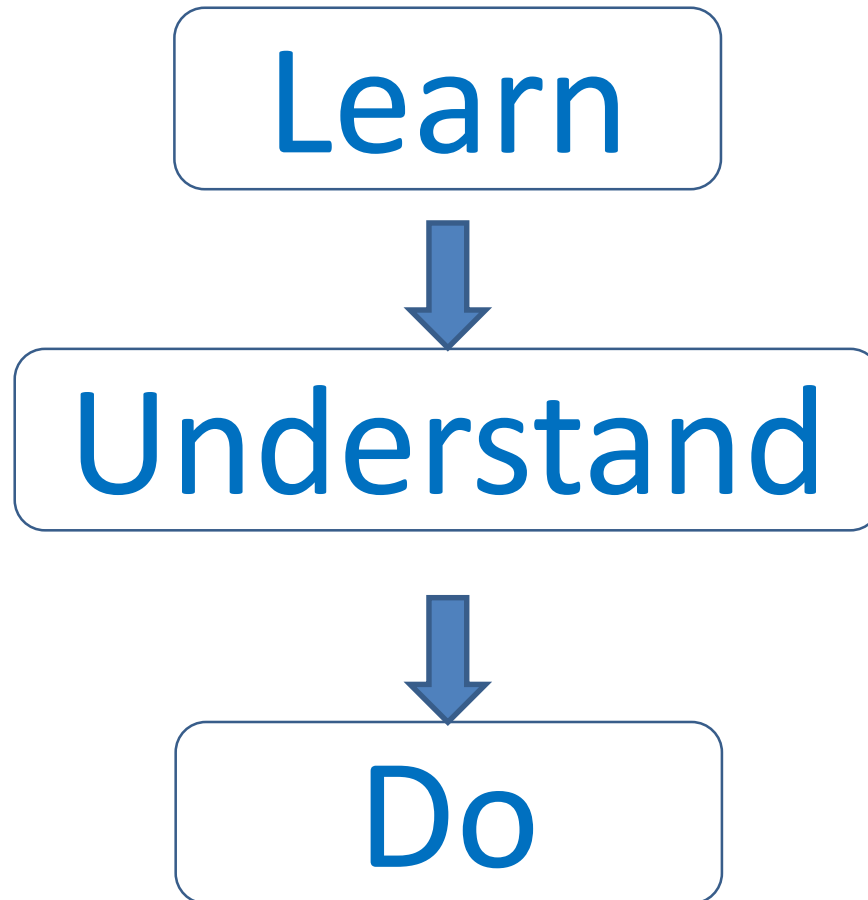


CAM



CMM

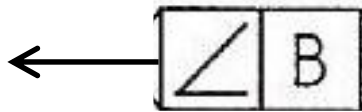
Approach in Trainings



Some of the new features and annotations for PMI

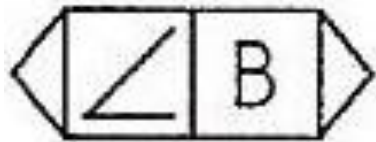


Some of the new features and annotations for PMI



**Directional
Tol zone**

Some of the new features and annotations for PMI



**Directional
Tol zone**

Transition

2D drawing paper



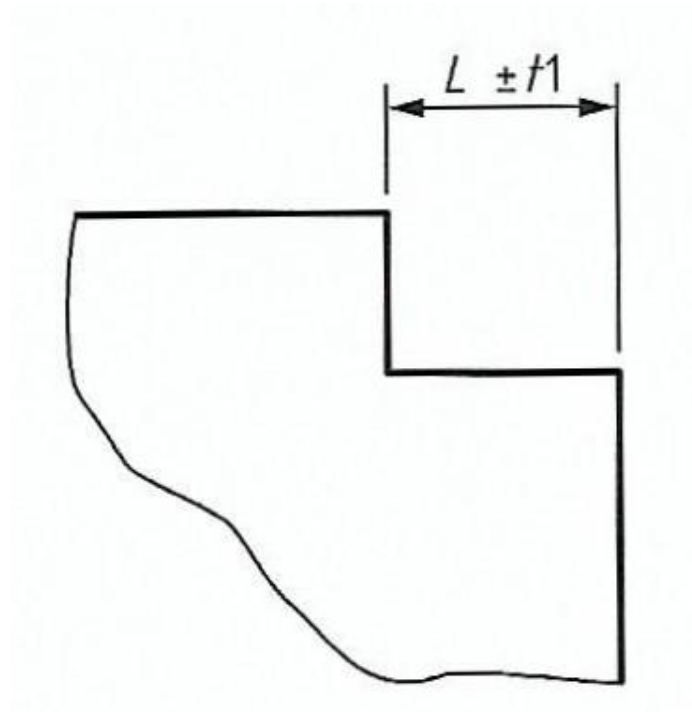
**PMI for 2D and 3D
model**

High need for training people

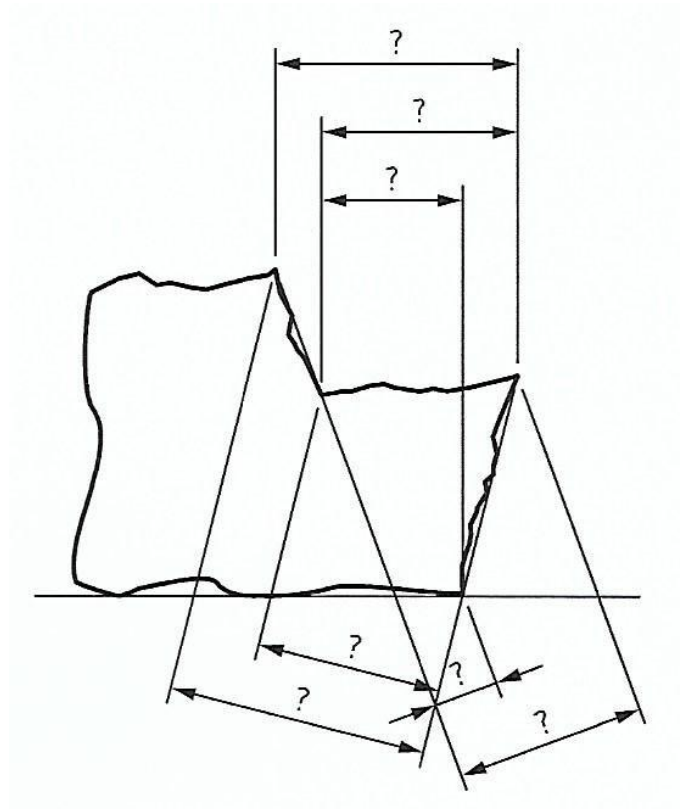
2D annotations are different !!!

**ISO: “no discussions” → new
additional annotations born**

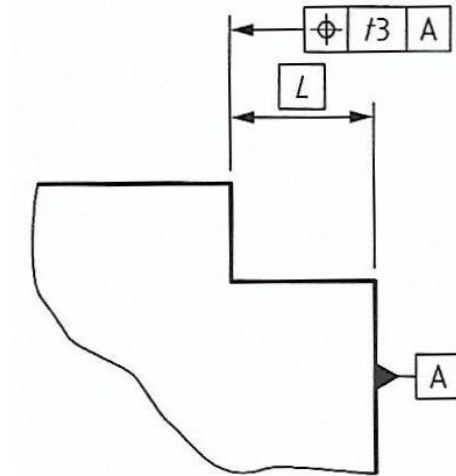
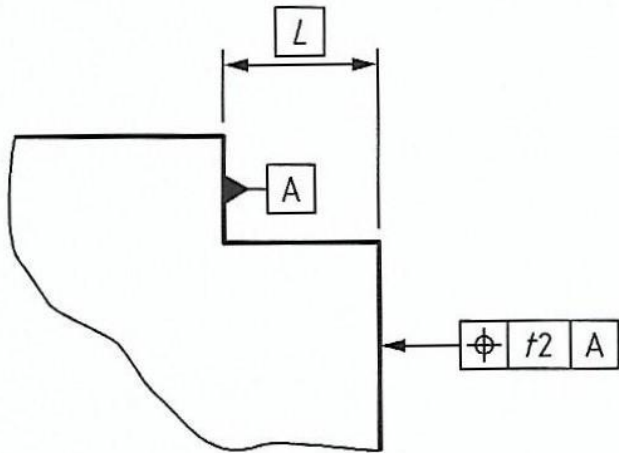
Clear and unambiguous?



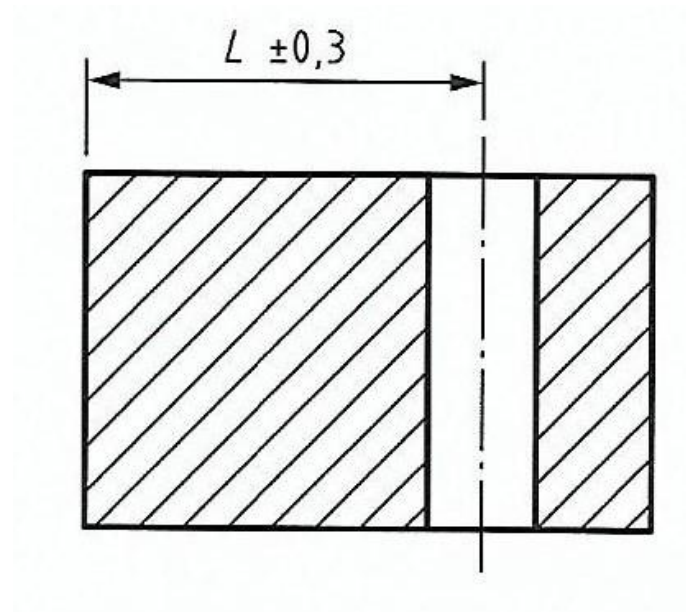
Discussion !



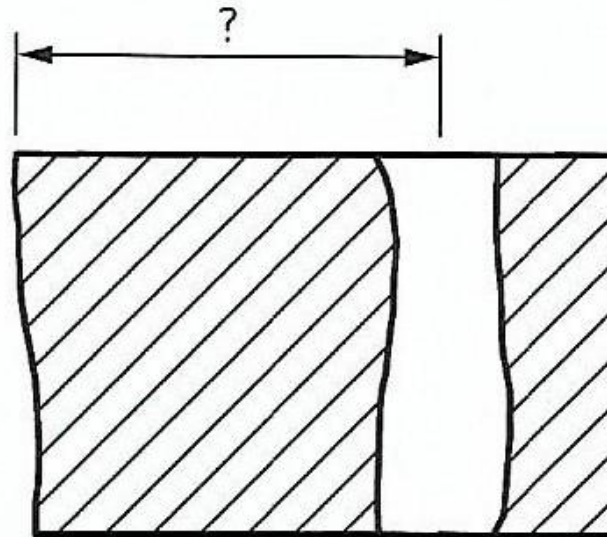
Solution example



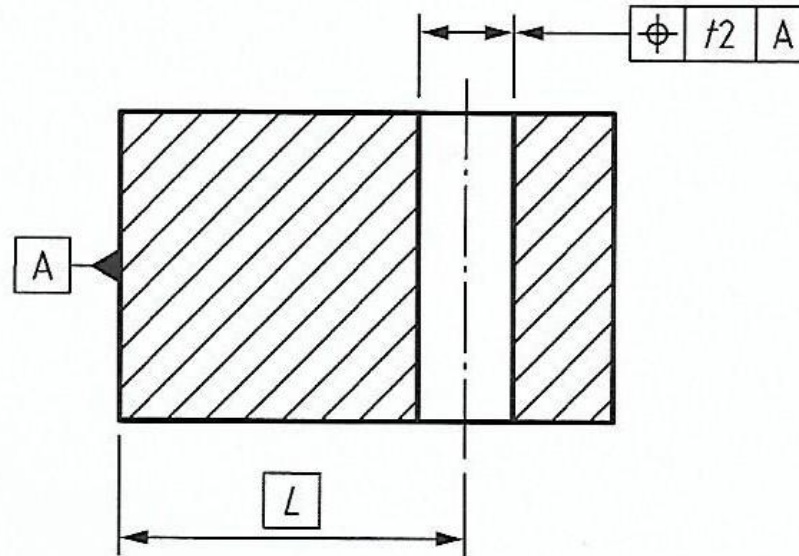
Clear and unambiguous?



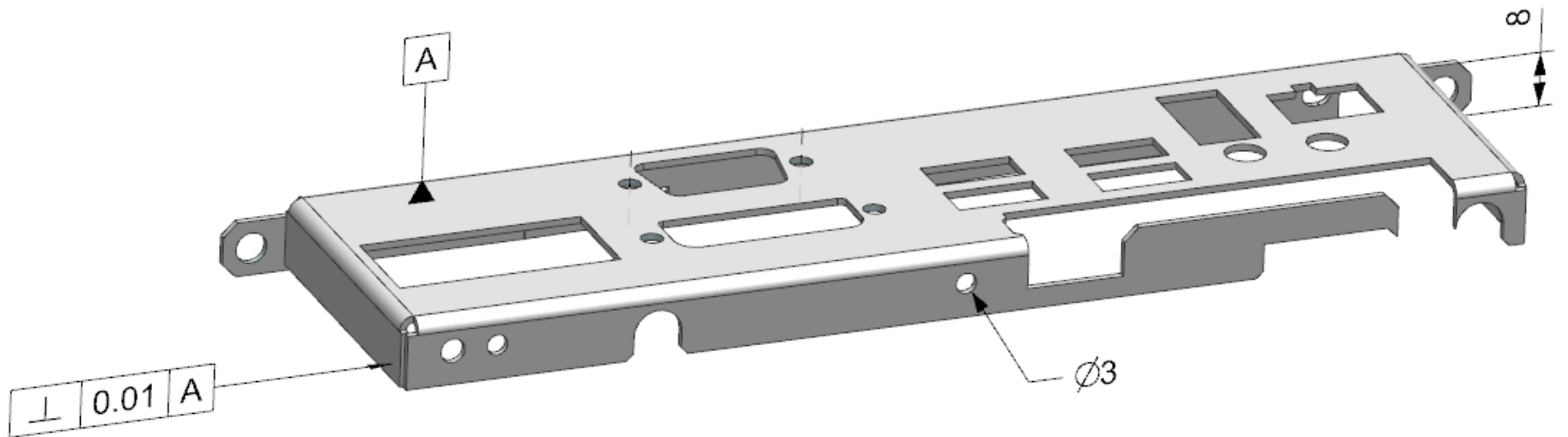
Discussion !



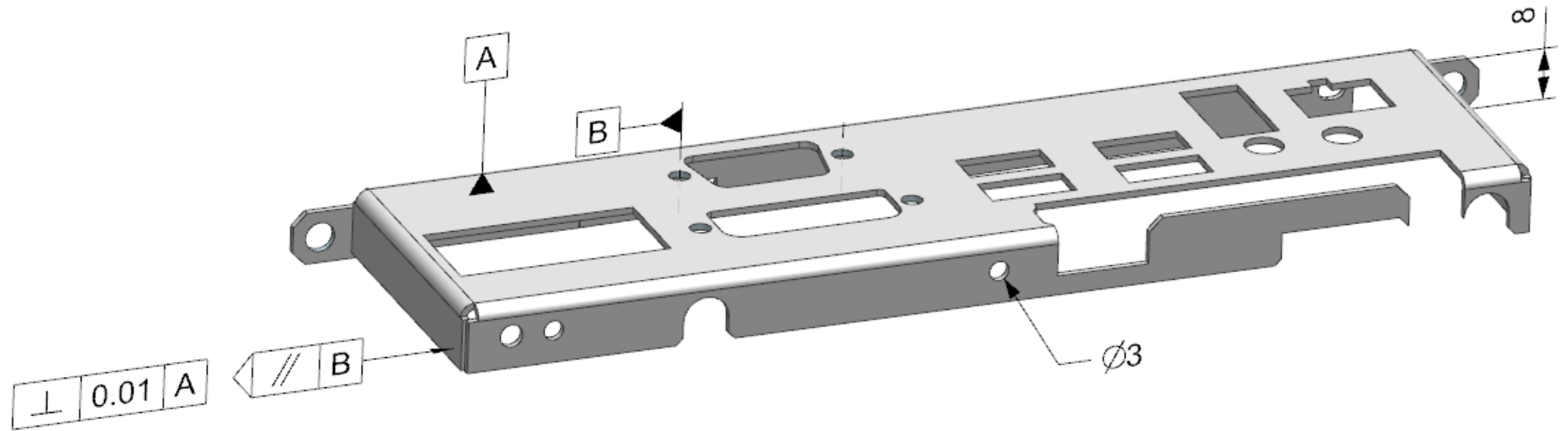
Solution example



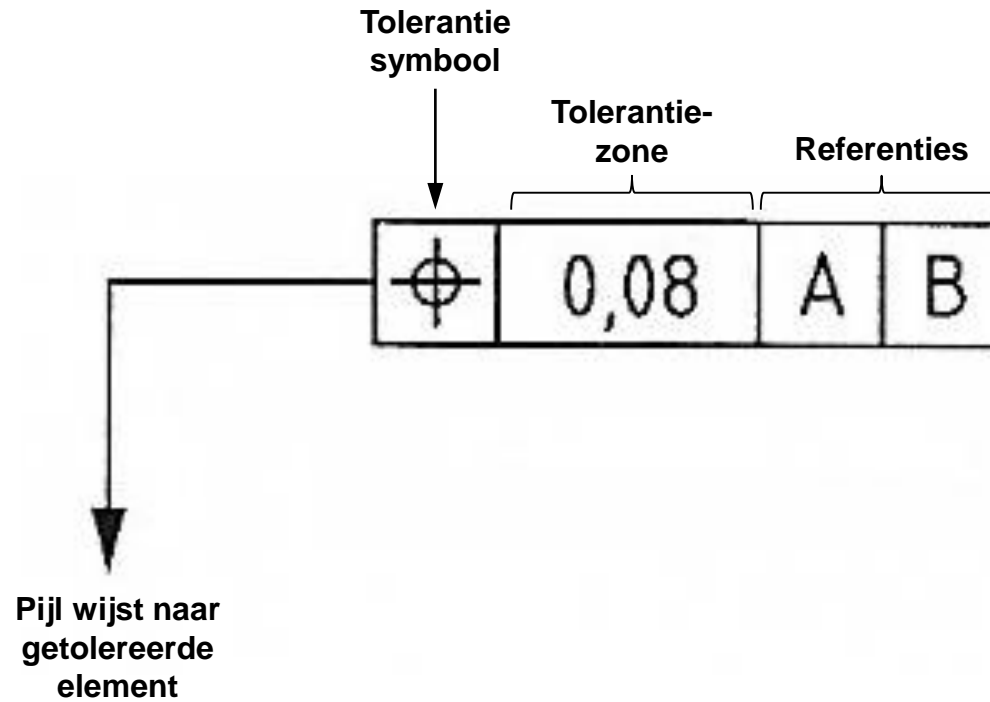
Example: connector plate



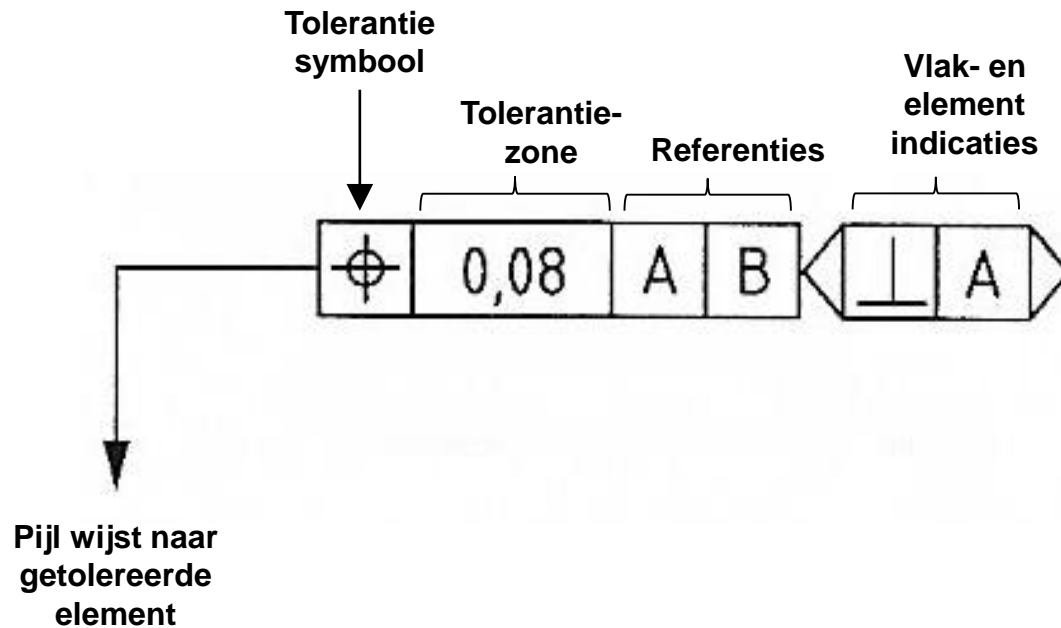
Additional annotations !



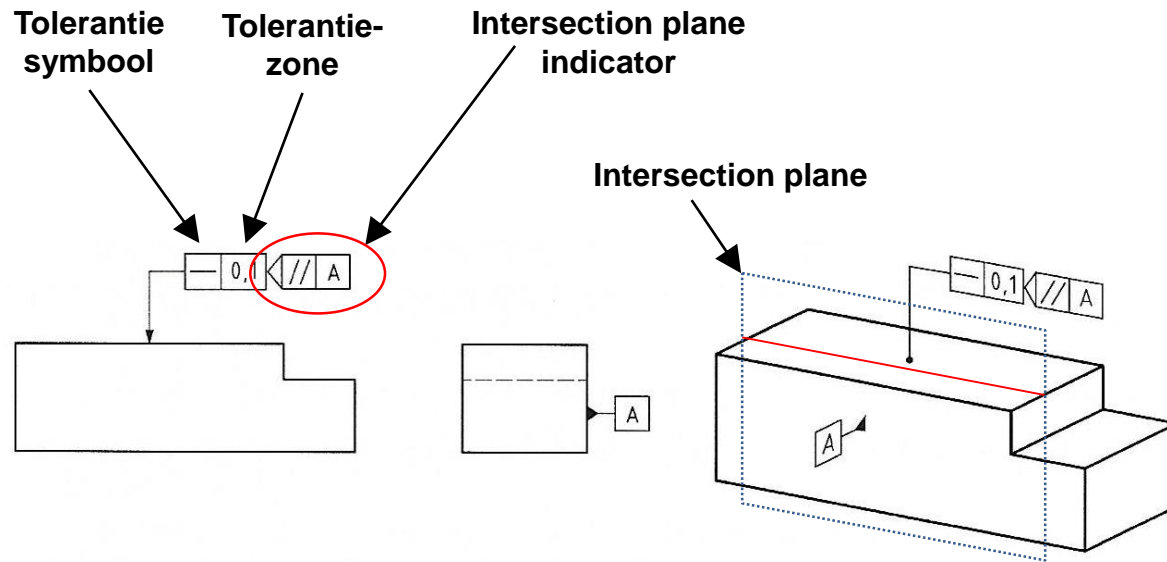
Example in 2D



Practice in 3D

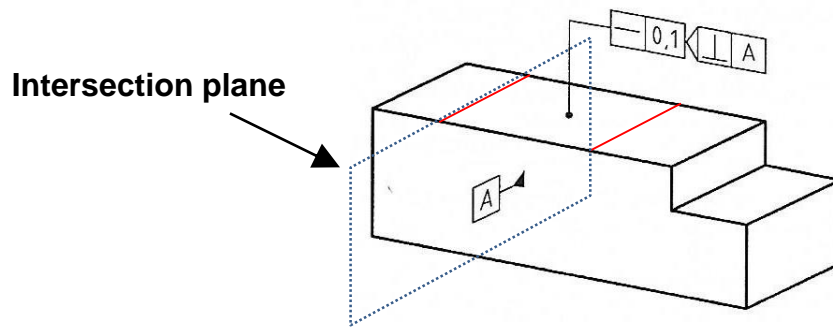


Exact indication toleranced element



Richting van de **getolereerde lijnen**: evenwijdig aan referentie vlak A

Exact indication toleranced element



Richting van de **getolereerde lijnen**: haaks op referentie vlak A

Please ask your questions

Thanks for your attention

Jos van Grinsven